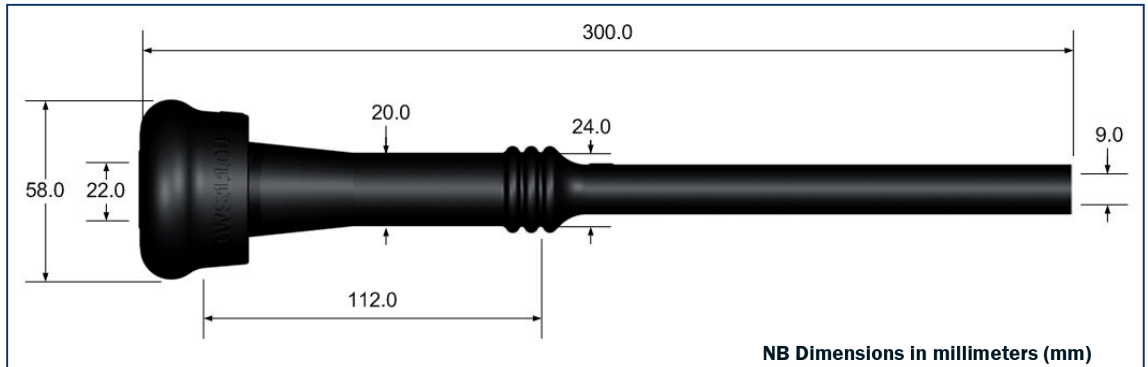




MILK-RITE®
 animal health and milk quality

Ultraliner - Goat Liner Range

GWS110U - Technical Data Sheet



Milk-Rite product code	Milk-Rite part number	Compatible with
GWS110U	M02WS014XZ	OEM: 7036-2725-110
Material approval		
 <input checked="" type="checkbox"/>  <input checked="" type="checkbox"/>		<p>The compound used for this liner meets BfR Food Regulation XXI Category 3 for products that come into contact with food, and is approved to this standard by RAL.</p>
Additional information		

Milk-Rite Warranty

Milk-Rite liners are warrantied to last a minimum of 2500 milkings or six months when used in accordance with our instructions and those of the parlour manufacturer.

The information in this document is not binding and can be changed without notice. Parlours and herds vary considerably, so these details are meant to be guidelines to operation only and not a specification. It remains the responsibility of the operator to ensure the correct working of the plant and the health of the animal.

Milk-Rite, Hampton Park West, Semington Road, Melksham, SN12 6NB

www.milk-rite.com

